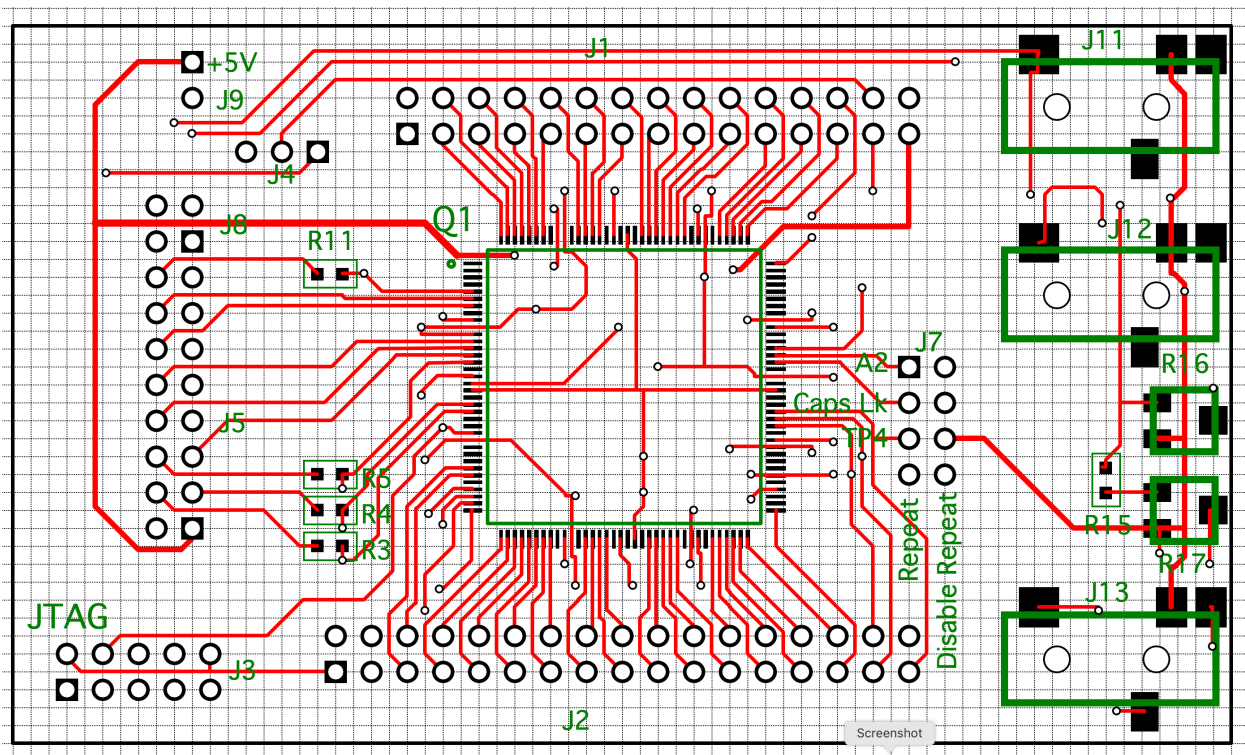


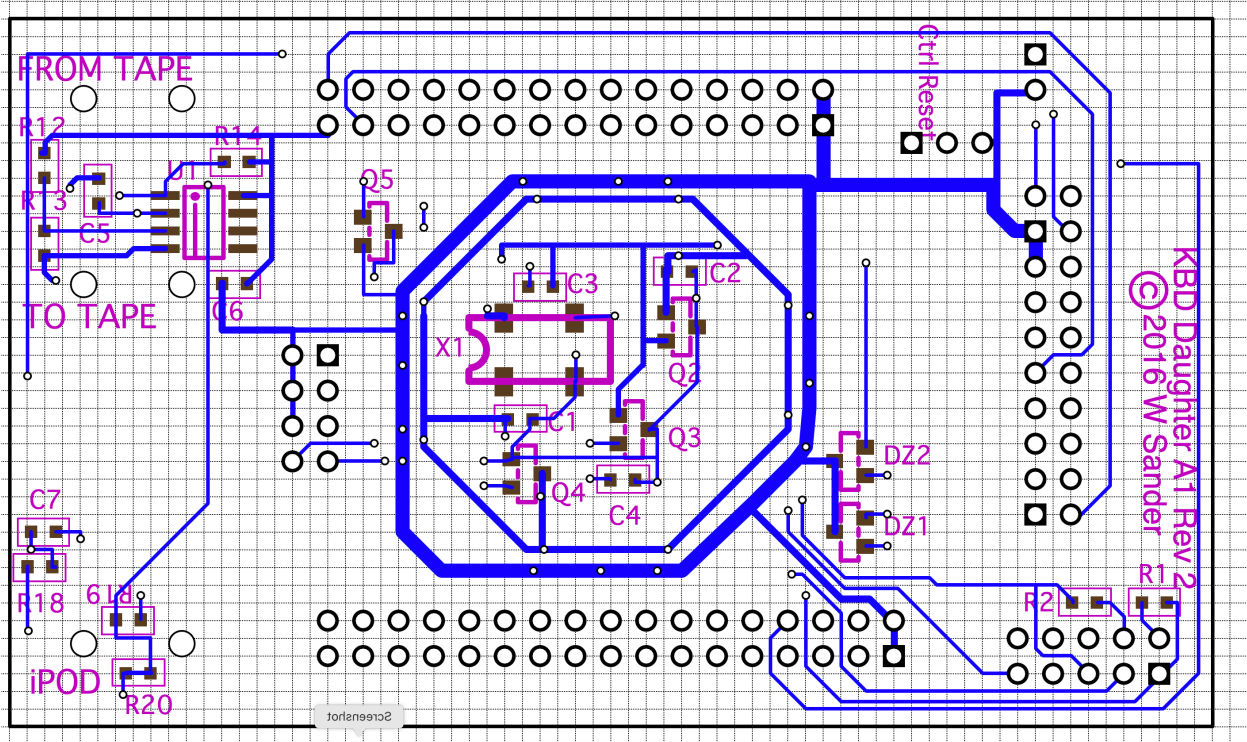
A1 Daughter With Audio Board Schematic

Part	Designator	Value	Manufacturer	Mfg Part No.	Description
C1	CAPACITOR	75 pf			Through Hole 0.2 center
C2	CAPACITOR	0.022u			
C3	CAPACITOR	0.1u			
C4	CAPACITOR	0.1u			
C5	CAPACITOR	0.1u			
J2	A1HEADER	2X8	3M	D2516-5002-AR	2X8 0.1 In RA Shrouded
J3	HEADER	1X3	SAMTEC	TSW-103-08-L-S-RA	1X3 0.1 In Header
P1	25 PIN SIP	1X25	SAMTEC	TSW-125-14-L-S	1X25 0.1 In Header
R1	RESISTOR	47K Ω			1/4 w axial
R2	RESISTOR	4.7K Ω			1/4 w axial
R3	RESISTOR	4.7K Ω			1/4 w axial
U1	74LS04				14 PIN DIP
U2	74LS21				14 PIN DIP
U3	74LS00				14 PIN DIP
U4	KR3600-070				40 PIN DIP
U5	74LS00				14 PIN DIP
	PCB		SIERRA		
	CABLE ASSY	16 PIN	Digikey	C4PXG-1618M-ND	16 PIN HEADER CABLE
	IDC PLUG	16 PIN	TE Connectivity	1658623-3	16 PIN IDC PLUG
	SOCKETS				5 SOCKETS

A1 Daughter With Audio Parts List



A1 Daughter With Audio Top Assembly



A1 Daughter With Audio Top Assembly